



HOW-TO MANUAL ALL-IN-ONE DISPOSABLE VAPE PEN

OPERATIONAL INSTRUCTIONS

Assembly

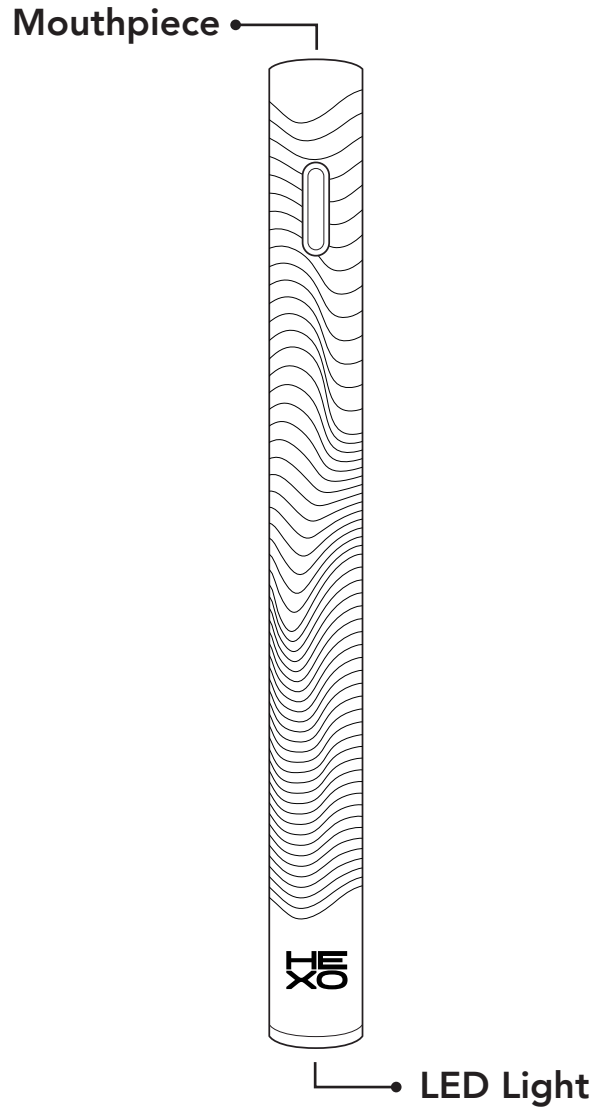
HEXO Vape pens come pre-assembled and ready to use.

Activation

To operate, simply breathe in from the mouthpiece.

Deactivation

Vapour production ceases as soon as the user stops breathing in from the device, no deactivation needed.



TROUBLESHOOTING

Why isn't my vape working?

If the unit isn't working or if its LED light is flashing, the device was likely dropped or otherwise damaged or the battery is expired.

STORAGE AND MAINTENANCE BEST PRACTICES

Handle with care.

Store in a cool, dry place with temperatures ranging from 4 to 30 degrees Celsius.

Avoid exposing vape pens to direct sunlight for prolonged periods of time.

Never submerge the vape pens in water.



HOW-TO MANUAL VAPE CARTRIDGE + BATTERY

OPERATIONAL INSTRUCTIONS

Assembly

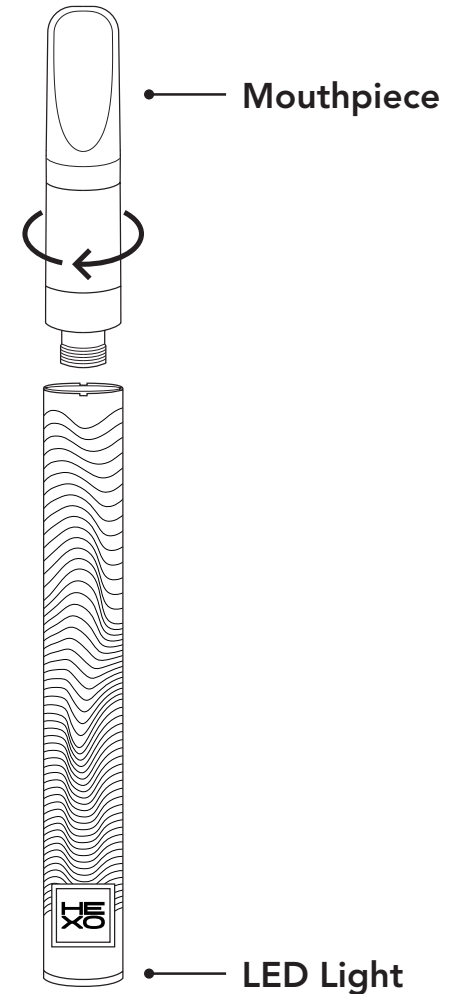
1. Unpack HEXO vape cartridge and remove protective silicone covering.
2. Insert cartridge into top of a 510-thread compatible battery and secure by twisting clockwise until it is tight.
3. Congratulations, you're connected!

Activation

For HEXO batteries, the heating element is activated by simply inhaling. Other battery types may require using a push-button while inhaling. If you are not able to activate the heating element, please refer to your vape battery manufacturer's instructions on how to draw vapour from your device.

Deactivation

HEXO's 510 cartridges do not have to be disconnected from battery after use. Disconnecting the cartridge from battery will not damage either component, and will not impact the cannabis oil inside the cartridge.



TROUBLESHOOTING

Why isn't my vape working?

- Rotate mouthpiece/cartridge to ensure positive connection
- Ensure vape battery is charged
- Separate the cartridge from the battery, then clean the contact points in the device and the bottom of the cartridge with a cotton swab dipped in a small amount of rubbing alcohol.
- If your product is within the warranty period and is not working properly, return the device, with the receipt, to the retailer where you purchased it.
- If it is a battery issue, refer to instructions from battery manufacturer

STORAGE AND MAINTENANCE BEST PRACTICES

Handle with care. Store in a cool, dry place (recommended temperatures range from 4 to 30 degrees Celsius). Avoid exposing vape cartridges to direct sunlight for prolonged periods of time. Never submerge HEXO vape cartridges in water.

FAQ

Are HEXO cartridges reusable?

No. HEXO cartridges are designed for single -use only.

How long does a HEXO cartridge last?

Many variables affect how many activations an individual cartridge can provide. The most common factors include the duration of inhalation and frequency of use.

HEXO cartridges vaporize oil at a consistent rate of 5mg per 3-second draw. Based on this level of consumption, a 0.5mL cartridge would last about 100 draws.

How will I know when my HEXO cartridge is empty?

Cartridge is empty when vapor is no longer produced after activation. The cartridge may still produce vapor after the reservoir appears empty due to out-of-view oil absorbed in the atomizer.

Are HEXO Cartridges compatible with non-HEXO batteries?

HEXO cartridges are compatible with all HEXO branded batteries and feature a standard 510-thread connection for compatibility with many non-HEXO power supplies. Since HEXO cartridges include two airflow paths, they are compatible with auto-draw AND button-activated batteries.

Despite these considerations, we cannot guarantee cartridge compatibility with non-HEXO power supplies.